

MIICRAFT

Digi-optical 3D printer



MiiUtility 5.0.7 update

2019 Jan.

Download Link

- <http://www.miicraft.com/support/>

Support



Manual

- Miicraft Ultra series printer guide V1.0
- Miicraft 125 series printer guide V1.6
- MiiUtility 4.0.1 user_manual
- MiiUtility 3.4.5 user_manual
- MiiCraft+
- MiiCraft



Download

- MiiUtility V 5.0.7 _64bits
- MiiUtility V 4.0.1 _64bits
- MiiUtility V 3.4.5
- MiiController FW1.3.5



Technical Datasheet

- MiiCraft 125 series
- MiiCraft +
- MiiCraft
- Resin



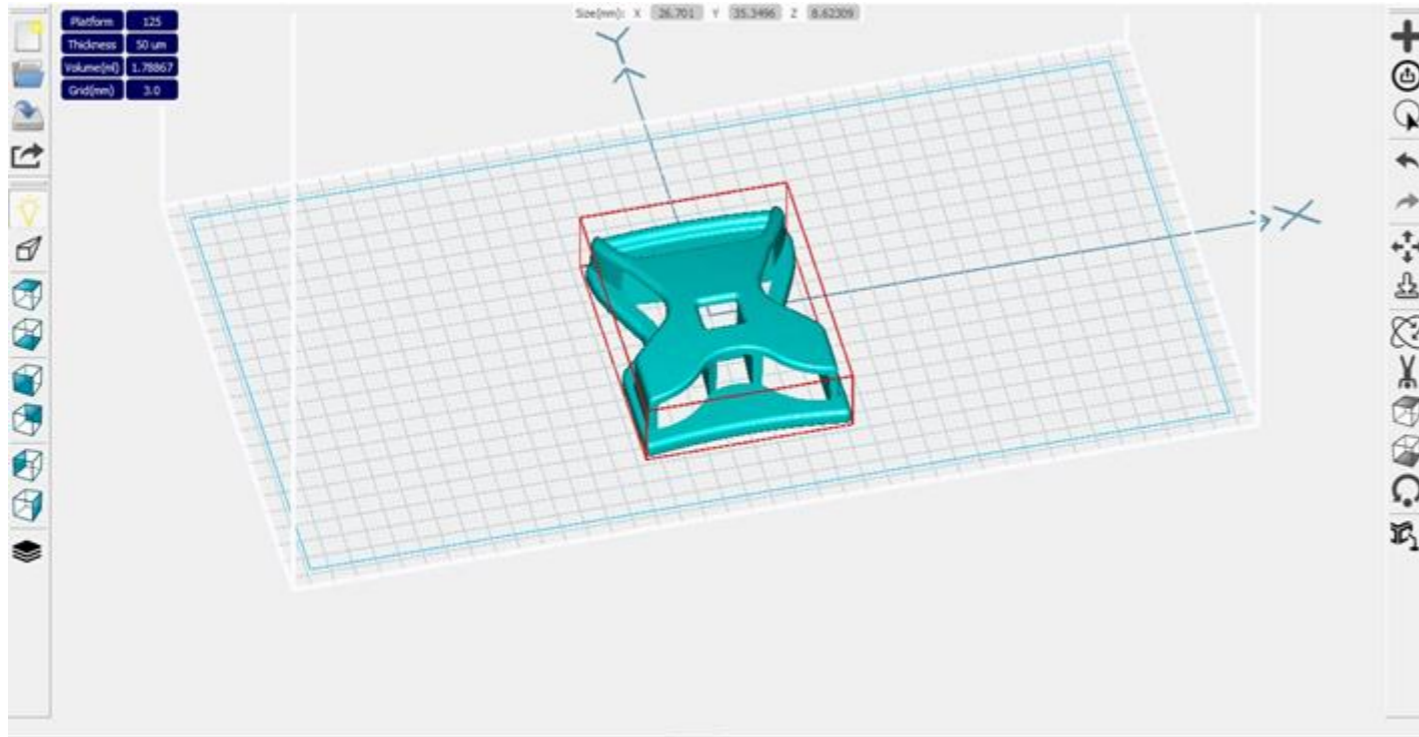
Videos

- Clinical Case: Printed bonding tray
- Replacing Film Module
- Cleaning the tank

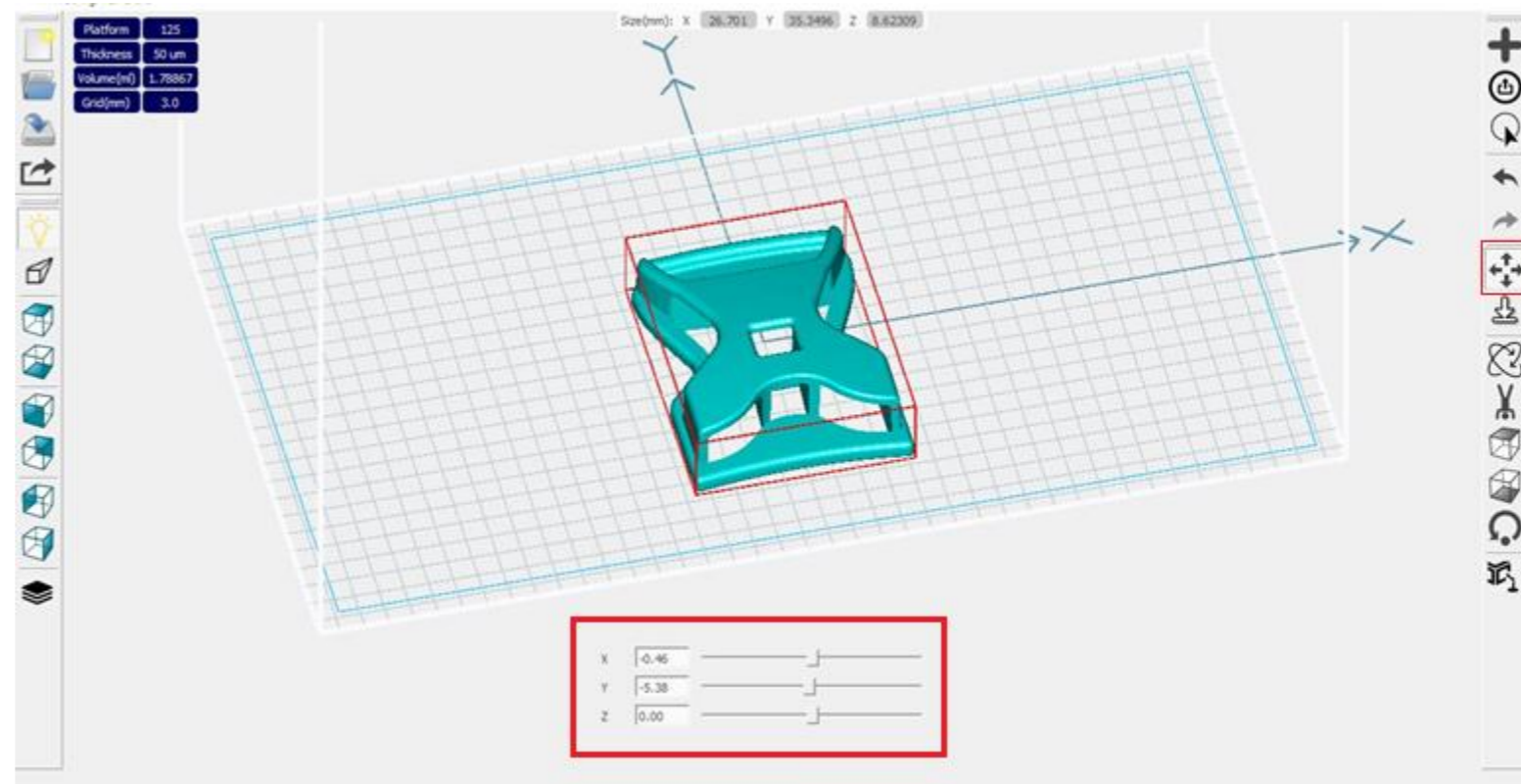
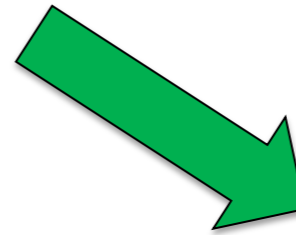


Hot key: move the model (Alt + E)

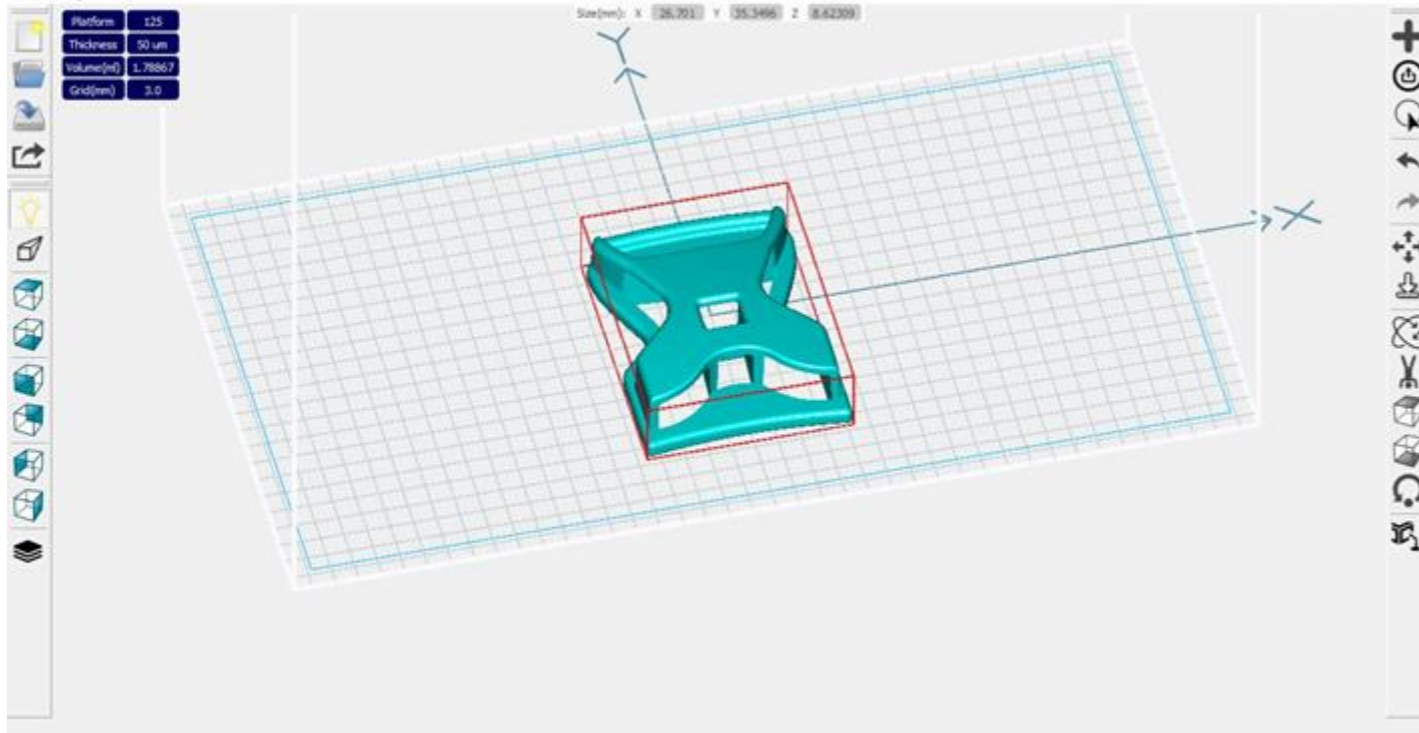
MICRAFT



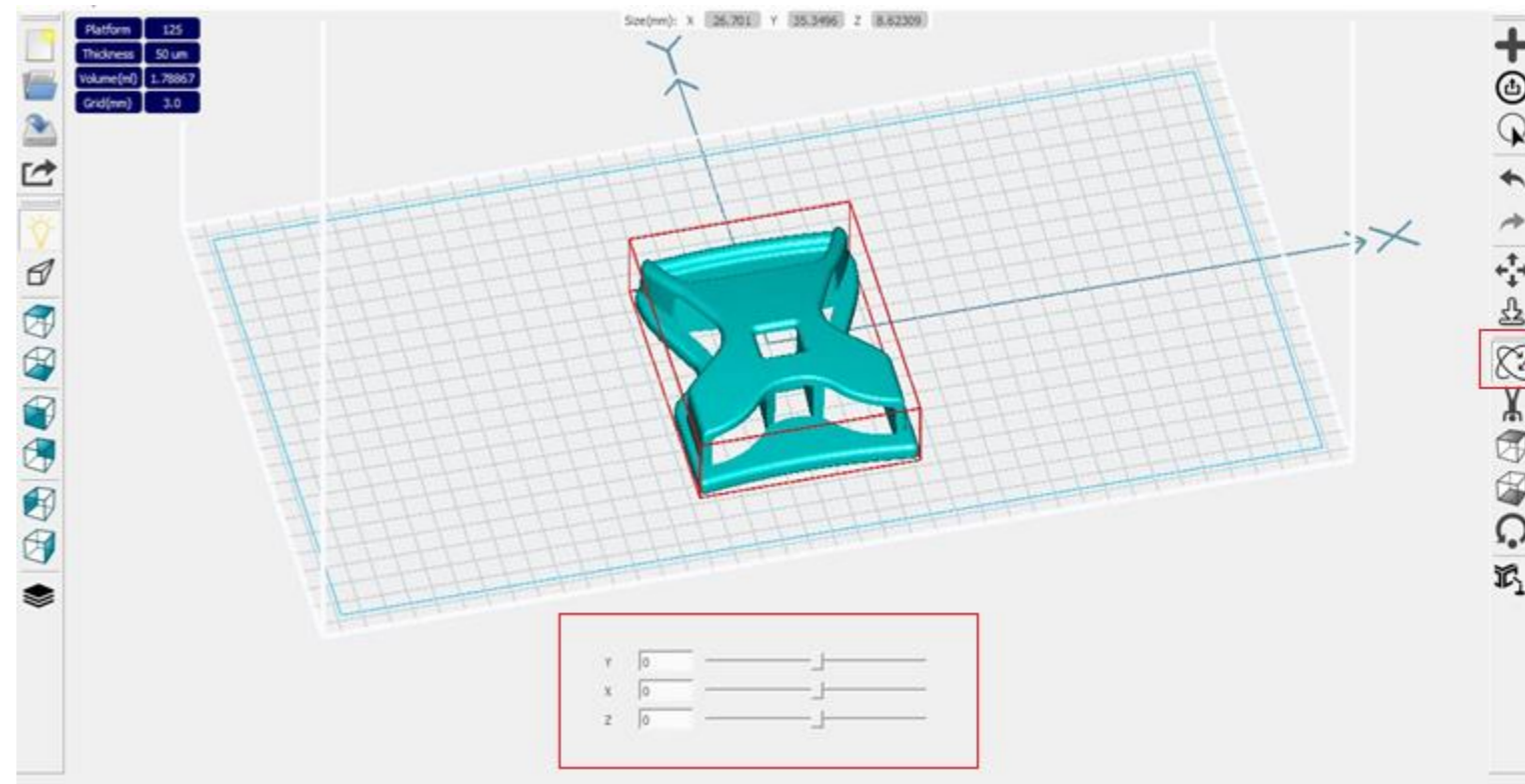
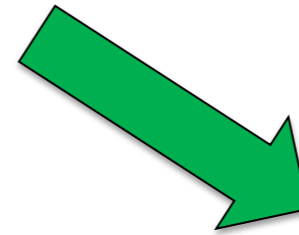
- Step:
 1. Select model
 2. Press Alt + E



Hot key: orient the model (Alt + R)



- Step:
 1. Select model
 2. Press Alt + R



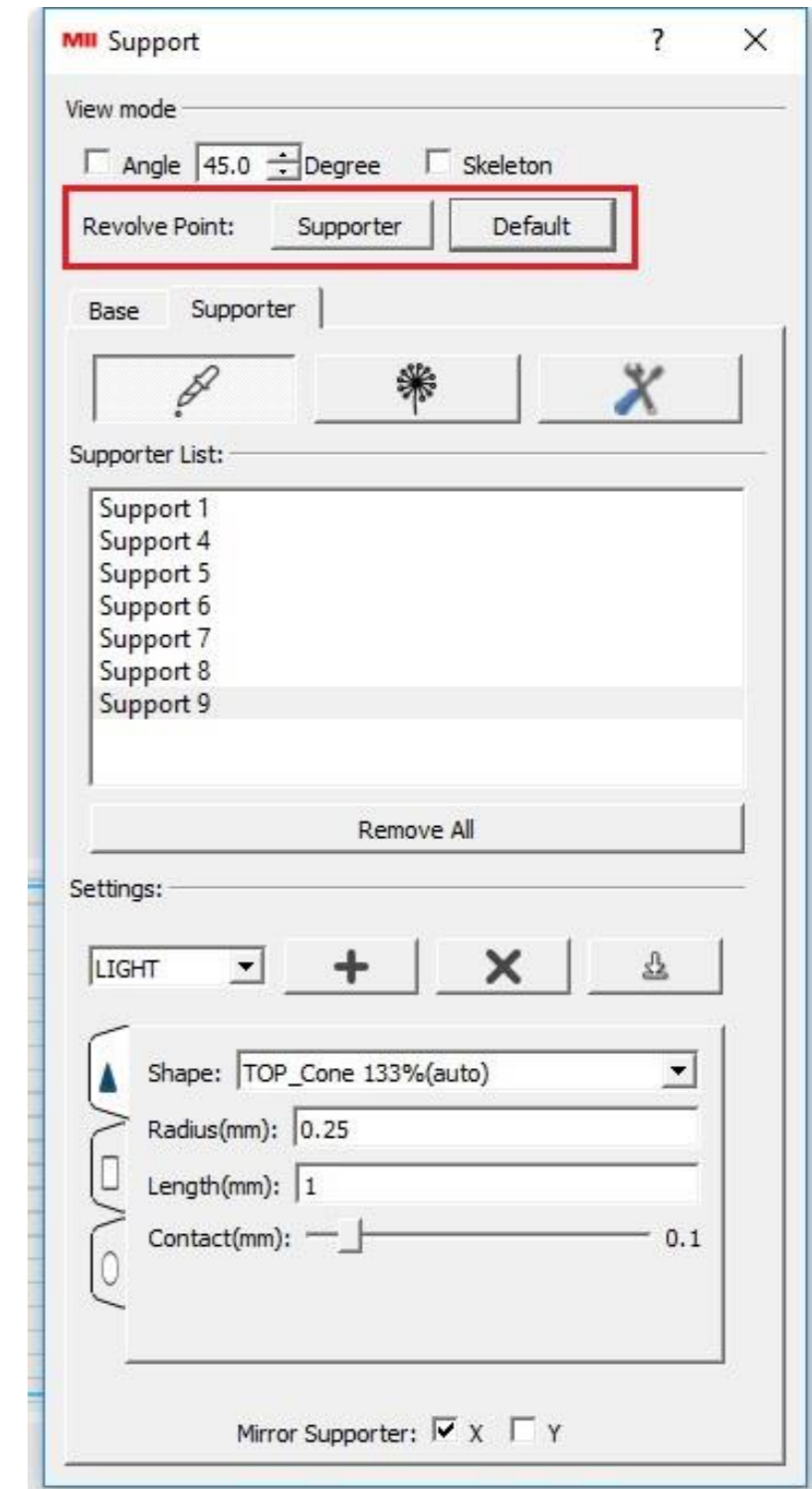
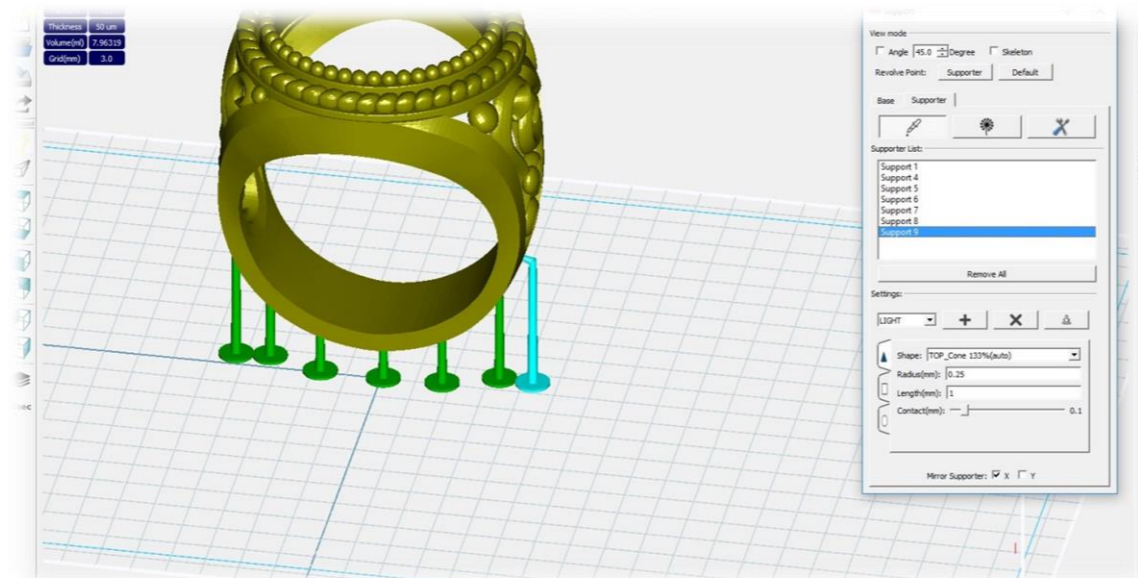
Revolve Point

- Revolve Point:

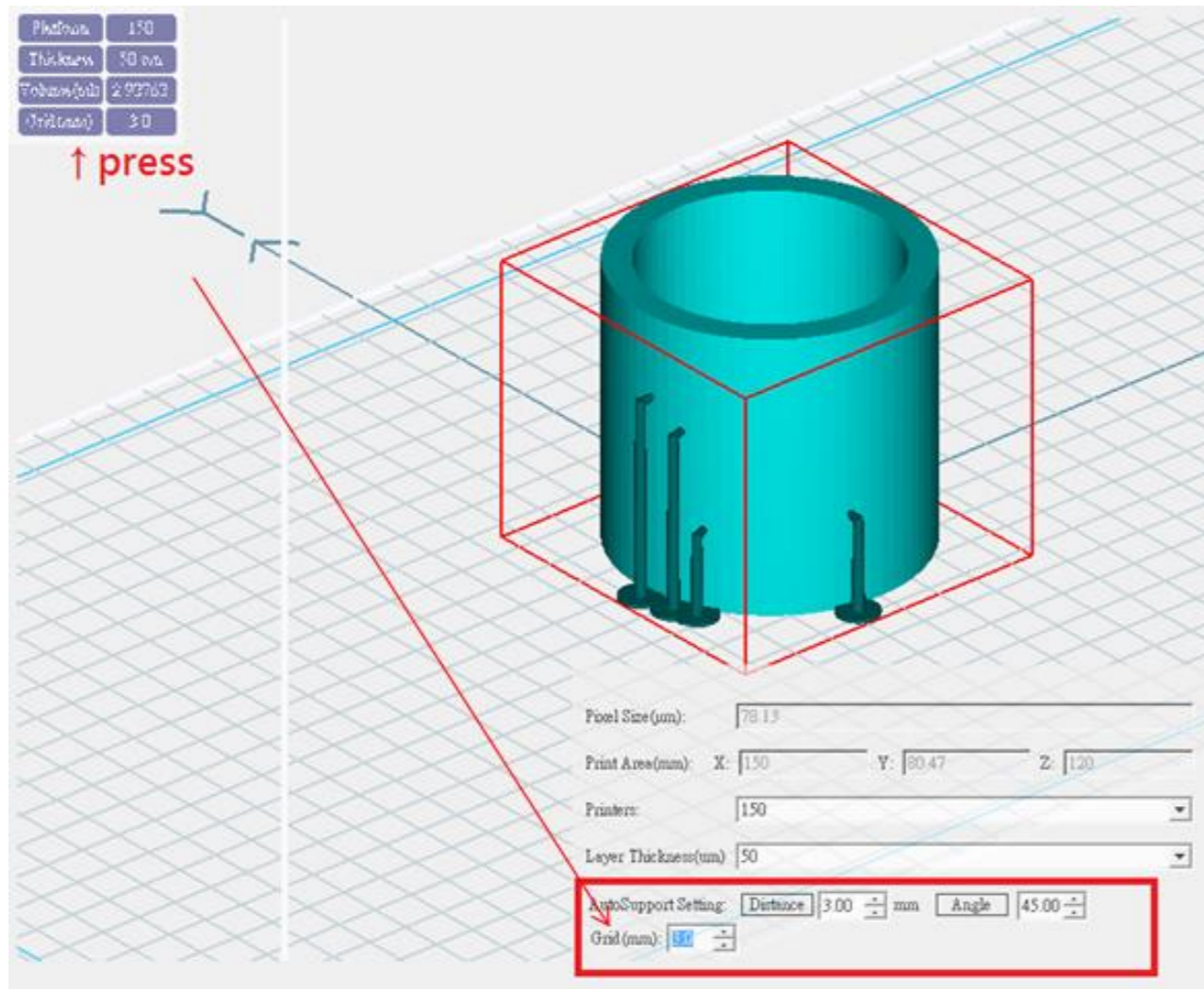
- Supporter: To set the one given support as the center view point when rotated
- Default: To set the grid origin $(x,y,z)=(0,0,0)$ as the center view point when rotated

- Step:

1. Select a support
2. Press Support or Default
3. Press the right mouse button & rotate the view



Defining the parameter for Auto-support

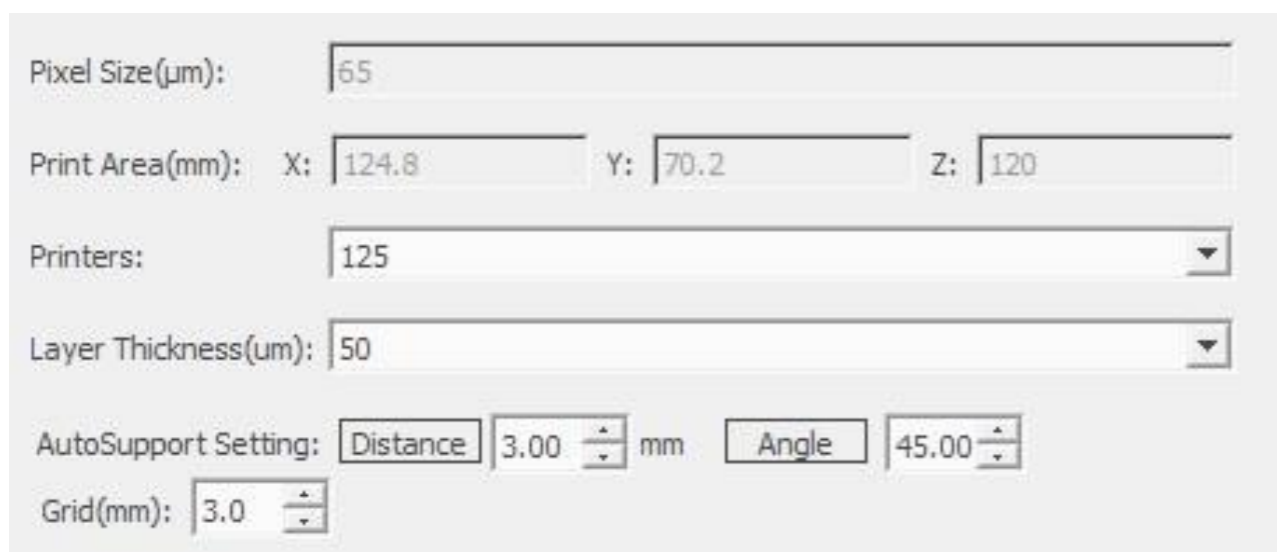


- Step:

1. Press the table in the upper left side
2. Set or adjust the parameter

- Parameter

- Distance: the minimum gap distance between each support
- Angle: Angle Indicator to help identify the bevel angle of object surface, object surface under this angle will become red in preview



Dimension information of Model



- Step

1. Select the model
2. The dimension information will be displayed in the middle top.